



# 3-WAY STEM VALVES



## 3-WAY STEM VALVES

3-way valves are 2-way valves with the added function of exhausting the outlet when the valve is closed. When the stem is depressed, the valve is in the

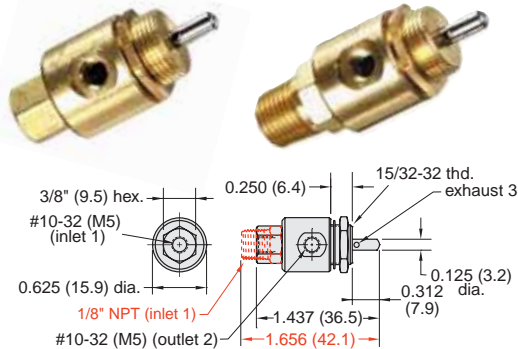
"on" position allowing air to flow from the inlet to the outlet while blocking the exhaust. Releasing the stem closes the inlet and opens the outlet to an exhaust port which vents the outlet to atmosphere. 3-way stem valves may have a poppet or spool and be normally closed (NC) or normally open (NO).

**Medium:** Air

**Materials:** Brass body, Buna-N seals, stainless steel stem and spring

**Stem Travel:** 1/8" (3.2)

### Miniature 3-Way Poppet Valves



**Input Pressure:** 300 psig/21 bar max.

**Air Flow:** 4.0 SCFM @ 50 psig; 6.8 SCFM @ 100 psig;  
170 l/min @ 6 bar

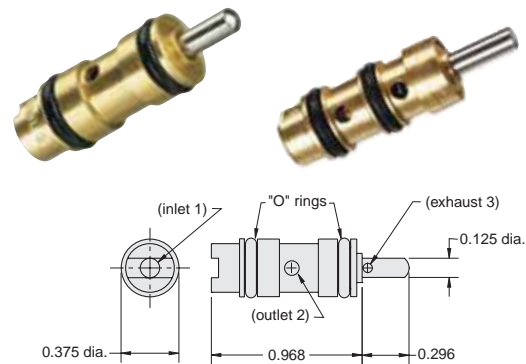
**Force For Full Stem Travel:** 24 oz. nominal

**Mounting:** 15/32-32 thread. Nut and lockwasher furnished.



Part No.	Description
MAV-3	Miniature Poppet Valve, #10-32
MAV-3-M5	Miniature Poppet Valve, M5
MAV-3P	Miniature Poppet Valve, 1/8" NPT

### Miniature Cartridge Valves



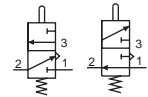
**Input Pressure:** 300 psig

**Air Flow:** 3.0 SCFM @ 50 psig; 6.0 SCFM @ 100 psig

**Force For Full Stem Travel:** 24 oz. nominal

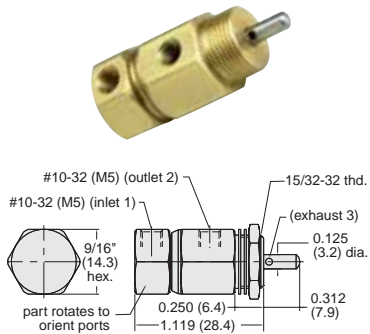
**Mounting:** Inserts into a 3/8" bore (0.375" 0.001")

**Note:** See page 118 for mounting details



Part No.	Description
MAV-3C	Normally-Open Poppet Cartridge Valve
MAVO-3C	Normally-Closed Spool Cartridge Valve

### N. C. Poppet Valves with Rotatable Inlet



**Input Pressure:** 300 psig/21 bar max.

**Air Flow:** 4.0 SCFM @ 50 psig; 6.8 SCFM @ 100 psig;  
170 l/min @ 6 bar

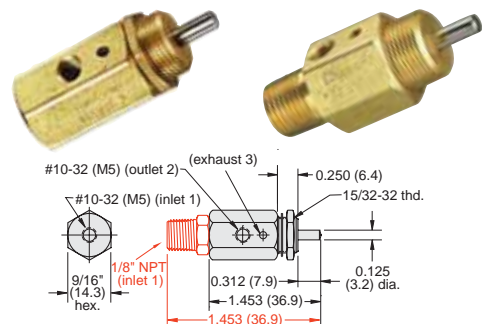
**Force For Full Stem Travel:** 24 oz. nominal

**Mounting:** 15/32-32 thread. Nut and lockwasher furnished.



Part No.	Description
MAV-3R	Normally-Closed Valve with Rotatable Inlet, #10-32
MAV-3R-M5	Normally-Closed Valve with Rotatable Inlet, M5

### Normally-Open Spool Valves



**Input Pressure:** 150 psig/10 bar max.

**Air Flow:** 6.0 SCFM @ 50 psig; 10 SCFM @ 100 psig;  
245 l/min @ 6 bar

**Force For Full Stem Travel:** 32 oz. nominal

**Mounting:** 15/32-32 thread. Nut and lockwasher furnished.



Part No.	Description
MAVO-3	Normally-Open Spool Valve, #10-32
MAVO-3-M5	Normally-Open Spool Valve, M5
MAVO-3P	Normally-Open Spool Valve, 1/8" NPT